

## CAMELEON

Customizable fixture solution - Universal | Adjustable

REF NO: CAM01.102 | CAM02.142 | CAM02.162



A New concept for structural repair and measurement of damaged vehicles. Cameleon offers a complete and accurate structural repair solution for all the existing and future vehicles without the need for additional tools.



- ▶ **Online 3D software** ensure UP-TO-DATE vehicle database everytime
- ▶ Intuitive assembly layout facilitates quick construction of Cameleon fixtures
- ▶ No compromise in the accuracy level of repair
- ▶ Complete solution for measuring/diagnosis, anchoring, re-construction and repair with a unique technique for all the vehicles in the segment
- ▶ Facilitates the use of existing Celette benches, cross members, MZ towers and MZ+ pistons
- ▶ User-friendly software interface enables faster learning by body technicians
- ▶ Twice as efficient in terms of productivity compared to electronic measuring systems and so-called universal jig systems

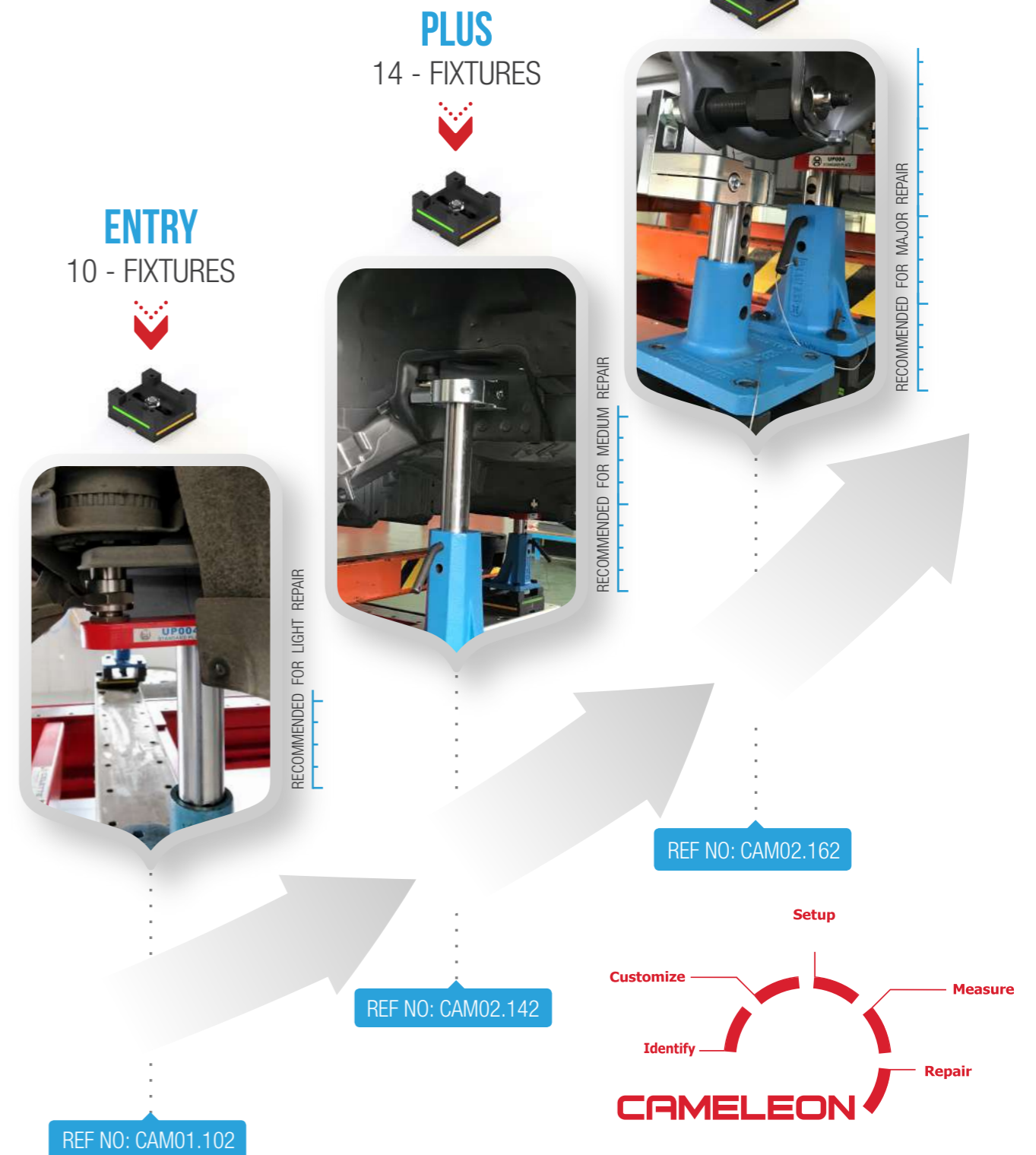
## CAMELEON

Customizable fixture solution - Universal | Adjustable

REF NO: CAM01.102 | CAM02.142 | CAM02.162



Build your own **JIGS** with **OEM 3D CAD** coordinates - Celette certified repair with Cameleon



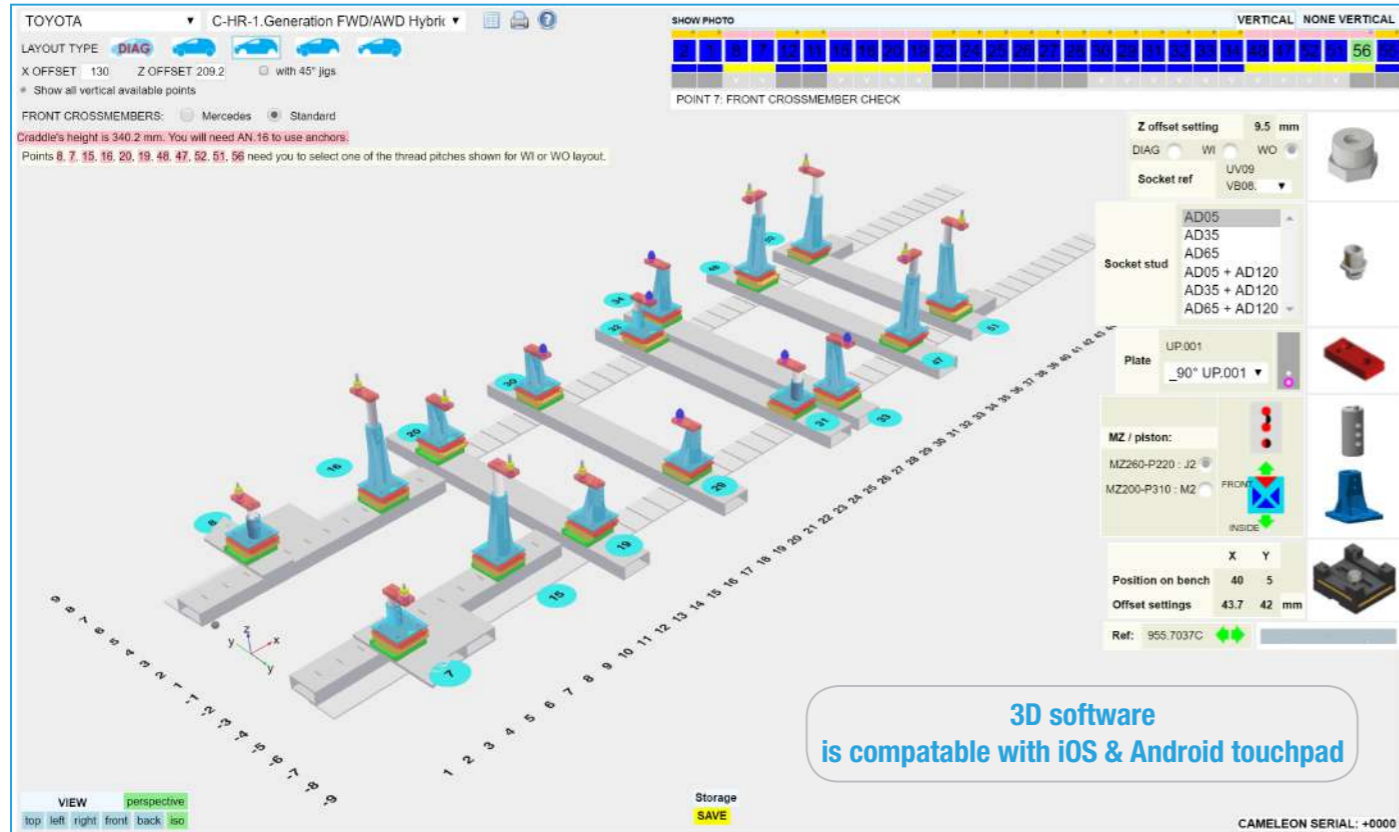
# CAMELEON

Customizable fixture solution - Universal | Adjustable

REF NO: CAM01.102 | CAM02.142 | CAM02.162



## USER INTERFACE - ISOMETRIC [3D] VIEW



3D software is compatible with iOS & Android touchpad

## PREMIUM / PLUS

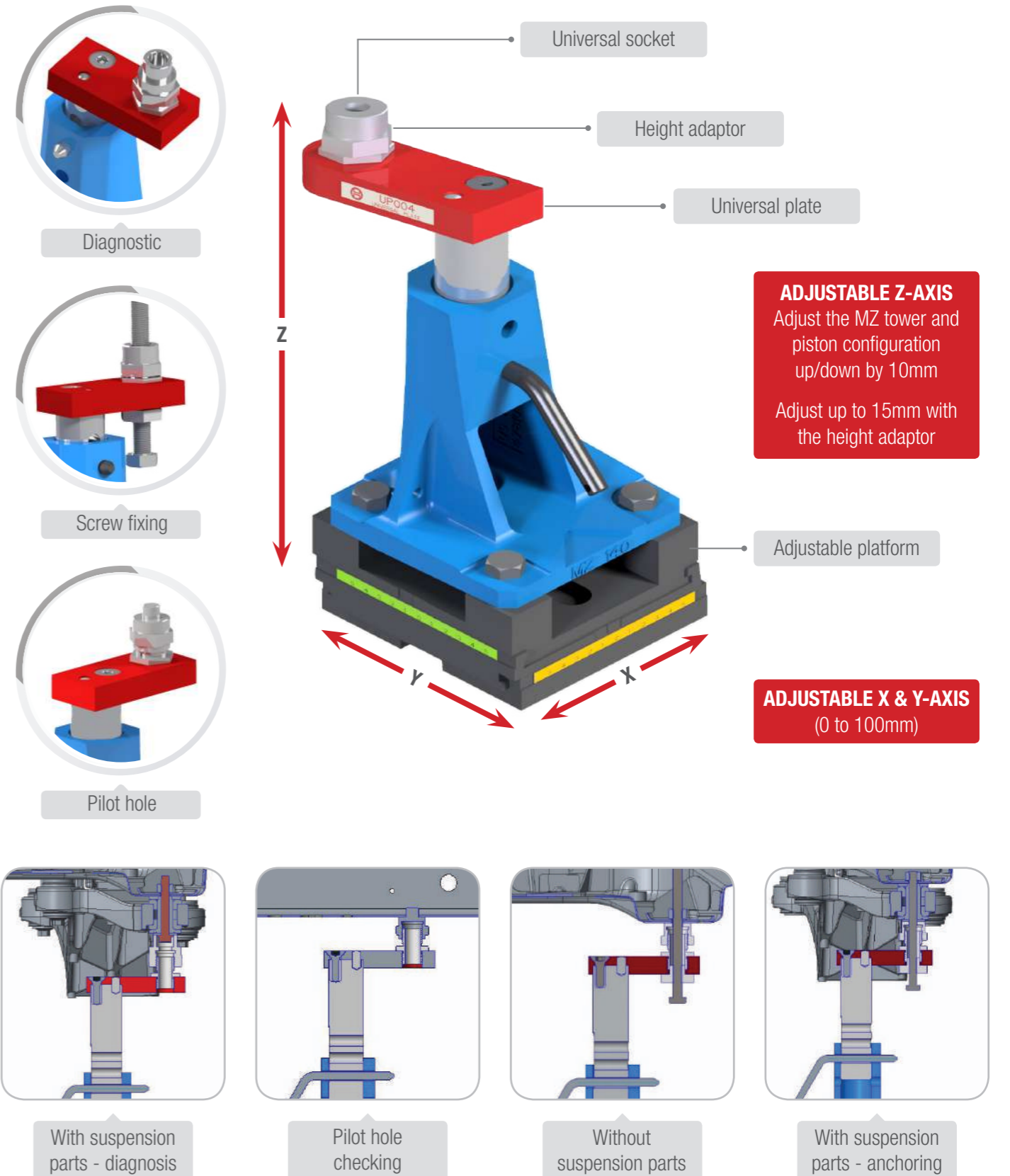


3D software is compatible with iOS & Android touchpad

# CAMELEON

Customizable fixture solution - Universal | Adjustable

REF NO: CAM01.102 | CAM02.142 | CAM02.162



**ADJUSTABLE Z-AXIS**  
Adjust the MZ tower and piston configuration up/down by 10mm  
Adjust up to 15mm with the height adaptor

**ADJUSTABLE X & Y-AXIS**  
(0 to 100mm)

## CAMELEON

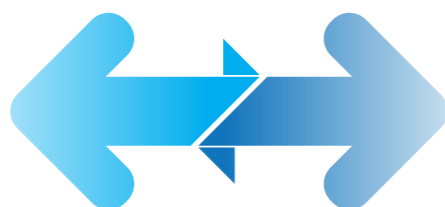
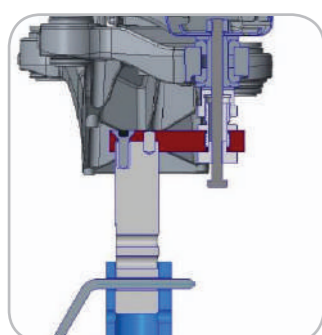
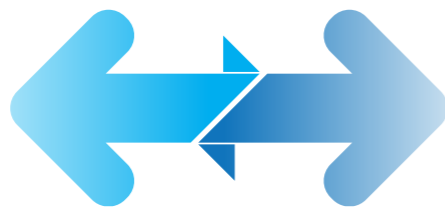
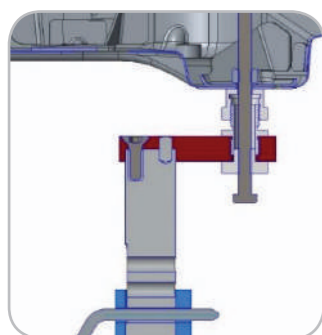
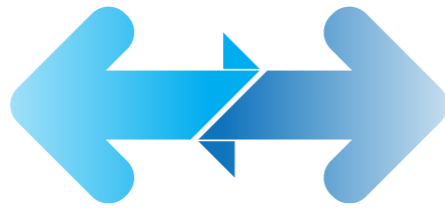
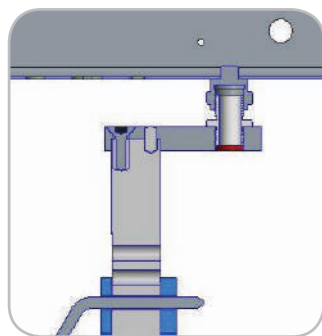
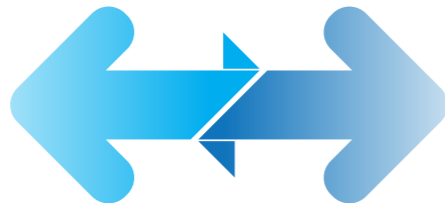
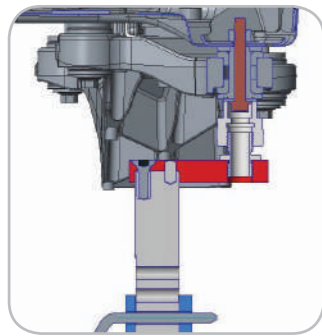
Customizable fixture solution - Universal | Adjustable

REF NO: CAM01.102 | CAM02.142 | CAM02.162



DIAGNOSTIC | POSITIONING | ANCHORING

All what you need to perform an OEM recommended repair process



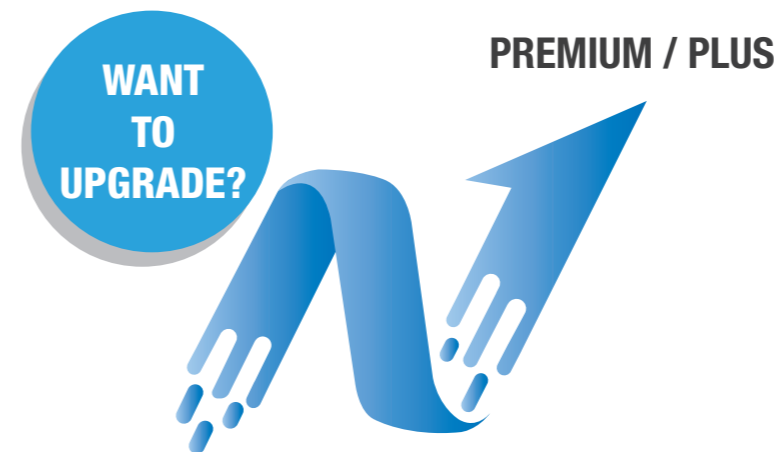
## CAMELEON

Customizable fixture solution - Universal | Adjustable

REF NO: CAM01.102 | CAM02.142 | CAM02.162



**ADDITIONAL HOLDING DEVICE**  
STANDARD SCOPE OF SUPPLY WITH  
ALL VARIANTS OF CAMELEON



### CAMELEON ENTRY

CAM02.066  
ADD-ON KIT TO CAMELEON PREMIUM  
CAM02.042  
ADD-ON KIT TO CAMELEON PLUS



ALL THE COMPONENTS ARE  
ERGONOMICALLY PLACED INSIDE THE  
TROLLEY FOR MANEUVERABILITY

### CAMELEON

Customizable fixture solution - Universal | Adjustable

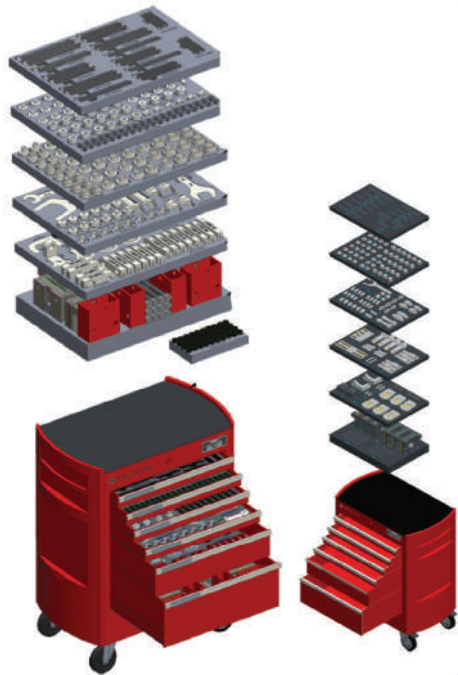
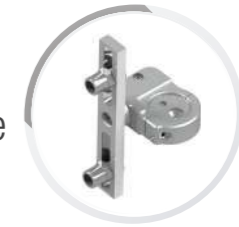
REF NO: CAM01.102 | CAM02.142 | CAM02.162



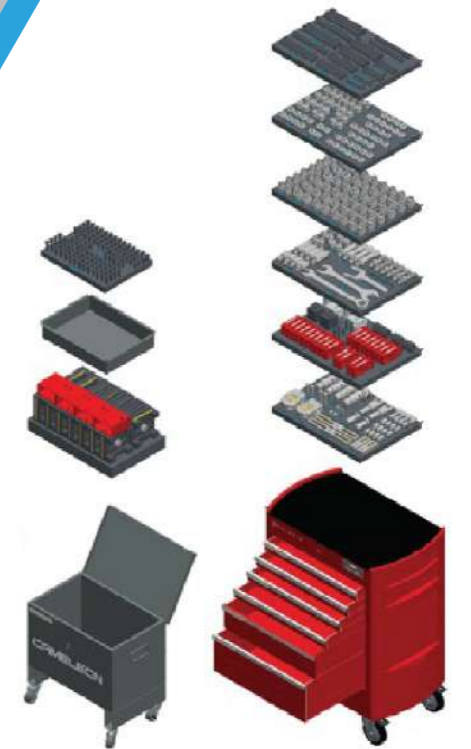
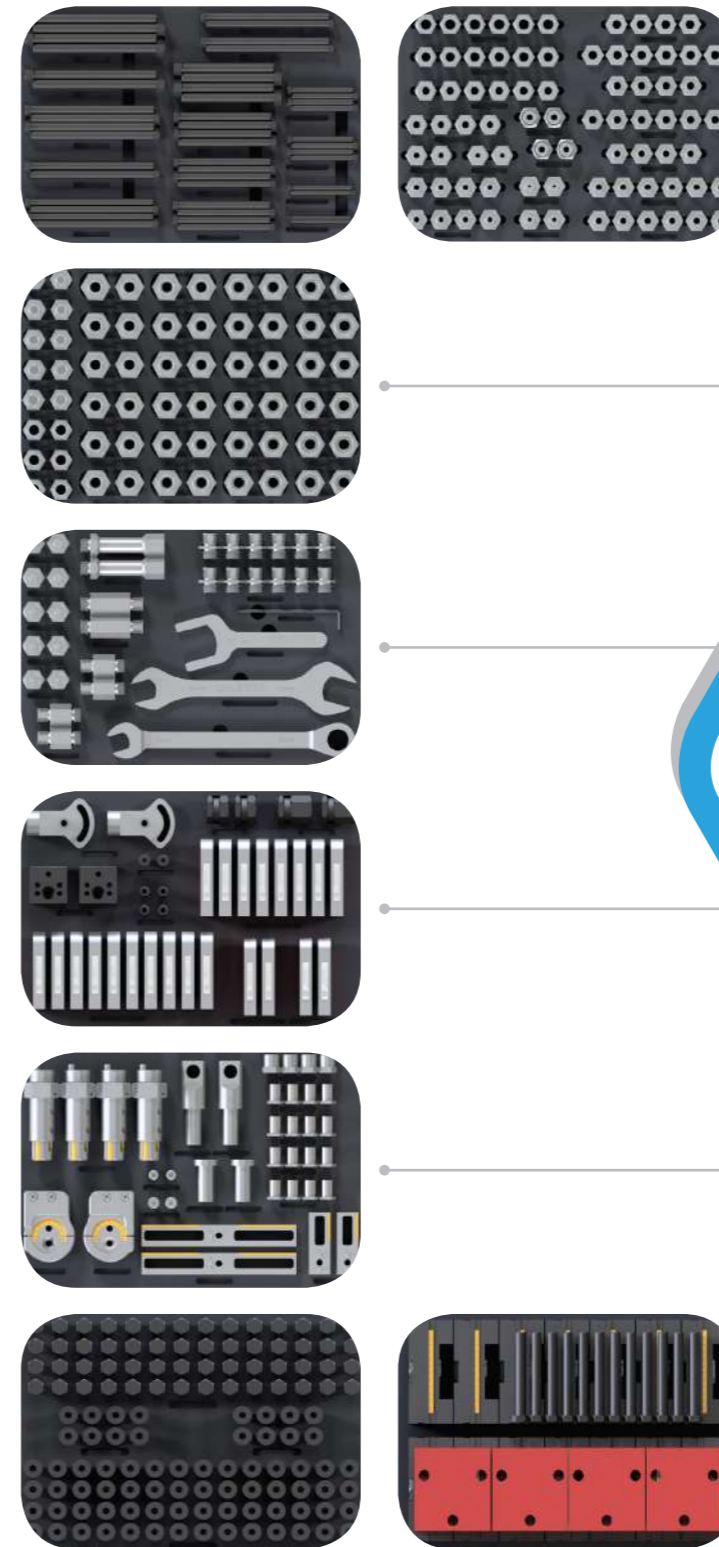
### CAMELEON

Customizable fixture solution - Universal | Adjustable

REF NO: CAM01.102 | CAM02.142 | CAM02.162



CAM02.162



CAM02.142

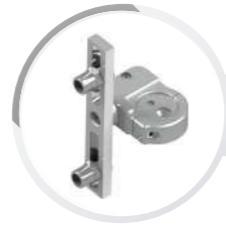
# CAMELEON PREMIUM

# CAMELEON PLUS

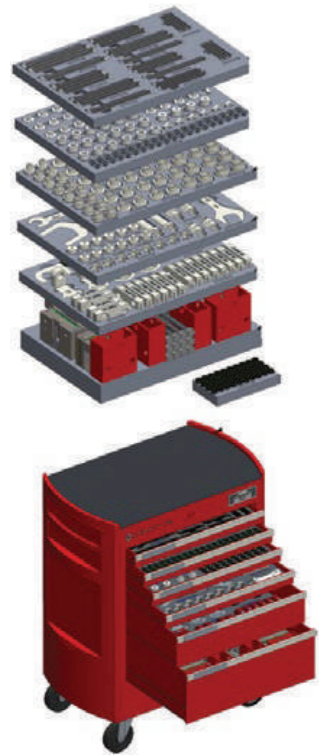
### CAMELEON

Customizable fixture solution - Universal | Adjustable

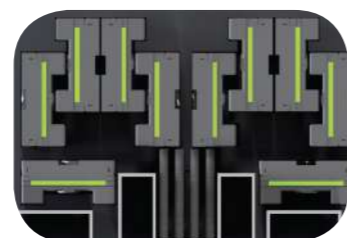
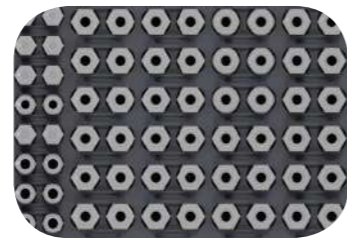
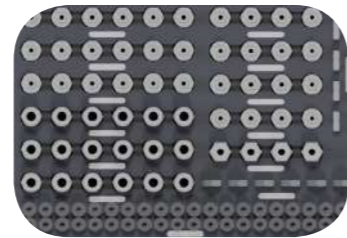
REF NO: CAM01.102 | CAM02.142 | CAM02.162



ONLY WITH PLUS & PREMIUM VARIANTS



CAM01.102



**CAMELEON**  
**ENTRY**



### CAMELEON

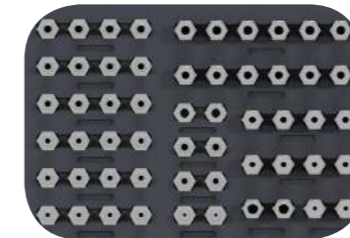
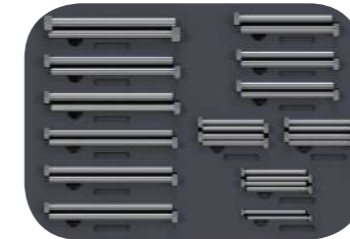
Customizable fixture solution - Universal | Adjustable

REF NO: CAM01.102 | CAM02.142 | CAM02.162



UPGRADE TO PLUS VARIANT REF NO: CAM02.042

UPGRADE TO PREMIUM VARIANT REF NO: CAM02.066



CAM02.042

CAM02.066

**CAMELEON**  
**ADD-ON KIT**